

# Tele Vue Eyepiece Specifications

All Tele Vue eyepieces listed have proprietary tuned full multi-coatings, blackened lens edges, high index glasses, fold-down eyeguards, rubber grip rings, cover for the eyeguard, an undercut in the barrel for extra locking security and filter threads. All Tele Vue eyepiece lines are proprietary, in-house designs manufactured to our specifications and tolerances. Every eyepiece is individually tested at Tele Vue to ensure it meets our high optical and cosmetic standards.

Pro d. Cod e	<sup>1</sup> FL (m m)	Eyepie ce Type	Barr el (in.)	<sup>2</sup> E / G	<sup>3</sup> A F	<sup>4</sup> G	<sup>5</sup> ER (m m)	Fiel d Sto p (m m)	<sup>6</sup> Eyepiece Dimensions (in.)						Weight (lb / oz)	Recommended		
									A	B	C	D	E	F		Bin o Vu e	DIO - PTR X	<sup>7</sup> Fon e-Mate
EP L-55.0	55	Plössl	2"	4 / 2	50		38	46	3		1.4	2.3		1.16	1.13 / 18.1		Y	
EP L-40.0	40	Plössl	1¼"	4 / 2	43		28	27	1.8	0.9		1.6		0.7	0.41 / 6.6	Y	Y	
EP L-32.0	32	Plössl	1¼"	4 / 2	50	B	22	27	1.9	0.9		1.6		0.25	0.39 / 6.2	Y	Y	
EA P-25.0	25	Plössl	1¼"	4 / 2	50	B	17	21.2	1.6	0.9		1.3		0.25	0.27 / 4.3	Y	N	
EA P-20.0	20	Plössl	1¼"	4 / 2	50	B	14	17.1	1.2	0.9		1.3		0.25	0.19 / 3.0	Y	N	
EA P-15.0	15	Plössl	1¼"	4 / 2	50	B	10	12.6	0.9	0.9		1.3		0.25	0.16 / 2.6	Y	N	
EA P-11.0	11	Plössl	1¼"	4 / 2	50	B	8	9.1	0.5	0.9		1.4		0.25	0.14 / 2.2	Y	N	
EA P-08.0	8	Plössl	1¼"	4 / 2	50	B	6	6.5	0.4	0.9		1.4		0.25	0.11 / 1.8	Y	N	
Pro d. Cod e	<sup>1</sup> FL (m m)	Eyepie ce Type	Barr el (in.)	<sup>2</sup> E / G	<sup>3</sup> A F	<sup>4</sup> G	<sup>5</sup> ER (m m)	Fiel d Sto p (m m)	<sup>6</sup> Eyepiece Dimensions (in.)						Weight (lb / oz)	Recommended		
									A	B	C	D	E	F		Bin o Vu e	DIO - PTR X	<sup>7</sup> Fon e-Mate
ED E-18.2	18.2	DeLite	1¼"	/	62	B	20	19.1	1.9	1.1		1.9		0.25	0.48 / 7.6	Y	Y	Y
ED E-15.0	15	DeLite	1¼"	/	62	B	20	16	2	1.1		1.9		0.25	0.47 / 7.5	Y	Y	Y
ED E-13.0	13	DeLite	1¼"	/	62	B	20	13.8	2.3	1.1		1.9		0.25	0.49 / 7.8	Y	Y	Y
ED E-11.0	11	DeLite	1¼"	/	62	B	20	11.7	2.3	1.1		1.9		0.25	0.44 / 7.1	Y	Y	Y
ED E-09.0	9	DeLite	1¼"	/	62	B	20	9.6	2.4	1.1		1.9		0.25	0.46 / 7.3	Y	Y	Y

ED E-07.0	7	DeLite	1¼"	/	62	B	20	7.5	2.6	1.1		1.9		0.25	0.46 / 7.3	Y	Y	Y
ED E-05.0	5	DeLite	1¼"	/	62	B	20	5.3	3	1.1		1.9		0.25	0.47 / 7.5	Y	Y	Y
ED E-04.0	4	DeLite	1¼"	/	62	B	20	4.3	3.1	1.1		1.9		0.25	0.48 / 7.6	Y	Y	Y
ED E-03.0	3	DeLite	1¼"	/	62	B	20	3.2	3.1	1.1		1.9		0.25	0.49 / 7.8	Y	Y	Y
Pro d. Code	1FL (m m)	Eyepie ce Type	Barr el (in.)	2E / G	3A F	4 G	5ER (m m)	Fiel d Sto p (m m)	6Eyepiece Dimensions (in.)						Weight (lb / oz)	Recommended		
									A	B	C	D	E	F		Bin o Vu e	DIO - PTR X	7Fon e-Mate
EP O-41.0	41	Panop tic	2"	6 / 4	68	A	27	46	3.8		1.1	3		0.27	2.10 / 3.6		Y	Y
EP O-35.0	35	Panop tic	2"	6 / 4	68	C	24	38.7	3.1		1.2	2.6		0.17	1.60 / 2.5.6		Y	
EP O-27.0	27	Panop tic	2"	6 / 4	68	A	19	30.5	2.4		1.2	2.1		0.29	1.03 / 1.6.4		Y	
EP O-24.0	24	Panop tic	1¼"	6 / 4	68	B	15	27	2.1	0.8		1.9		0.25	0.51 / 8.2	Y	Y*	
EP O-19.0	19	Panop tic	1¼"	6 / 4	68	B	13	21.3	1.7	0.9		1.7		0.25	0.41 / 6.6	Y	Y*	
Pro d. Code	1FL (m m)	Eyepie ce Type	Barr el (in.)	2E / G	3A F	4 G	5ER (m m)	Fiel d Sto p (m m)	6Eyepiece Dimensions (in.)						Weight (lb / oz)	Recommended		
									A	B	C	D	E	F		Bin o Vu e	DIO - PTR X	7Fon e-Mate
ED L-17.3	17.3	Delos	1¼"	/	72		20	21.2	3.1	1.1		2.2		- 0.23	0.90 / 1.4.4	Y	Y	Y
ED L-14.0	14	Delos	1¼"	/	72		20	17.3	3.5	0.9		2.2		- 0.23	0.90 / 1.4.4	Y	Y	Y
ED L-12.0	12	Delos	1¼"	/	72	B	20	15	3.1	1.2		2.2		0.25	0.90 / 1.4.4	Y	Y	Y
ED L-10.0	10	Delos	1¼"	/	72	B	20	12.7	3.5	1.1		2.2		0.25	0.90 / 1.4.4	Y	Y	Y
ED L-08.0	8	Delos	1¼"	/	72	B	20	9.9	3.6	1.2		2.2		0.25	1.00 / 1.6.0	Y	Y	Y
ED L-06.0	6	Delos	1¼"	/	72	B	20	7.6	4.1	1.1		2.2		0.25	1.00 / 1.6.0	Y	Y	Y

ED L-04.5	4.5	Delos	1¼"	/	72	B	20	5.6	4	1.1		2.2		0.25	1.10 / 17.6	Y	Y	Y	
ED L-03.5	3.5	Delos	1¼"	/	72	B	20	4.4	4.2	1.1		2.2		0.25	1.10 / 17.6	Y	Y	Y	
Pro d. Code	¹FL (m m)	Eyepiece Type	Barr el (in.)	²E / G	³A F	⁴G	⁵ER (m m)	Field Stop (m m)	⁶Eyepiece Dimensions (in.)						Weight (lb / oz)	Recommended			
									A	B	C	D	E	F		Bin o Vu e	DIO - PTR X	⁷Fon e-Mate	
EN 5-31.0	31	Nagler 5	2"	6 / 4	82		19	42	3.9			1.5	3.3		-0.38	2.20 / 35.2		Y	Y
EN 4-22.0	22	Nagler 4	2"	7 / 5	82		19	31.1	2.4			1.5	2.4		-0.29	1.50 / 24.0		Y	Y
EN 4-17.0	17	Nagler 4	2"	7 / 5	82		17	24.3	2.6			1.5	2.4		-0.03	1.60 / 25.6		Y	Y
EN 5-16.0	16	Nagler 5	1¼"	6 / 4	82	B	10	22.1	1.5	1.2		1.7		0.28	0.44 / 7.1	Y	N		
EN 6-13.0	13	Nagler 6	1¼"	7 / 4	82	B	12	17.6	1.6	1.3		1.6		0.25	0.40 / 6.4	Y	Y*		
EN 6-09.0	9	Nagler 6	1¼"	7 / 4	82	B	12	12.4	1.9	1.2		1.6		0.25	0.42 / 6.7	Y	Y*		
EN 6-07.0	7	Nagler 6	1¼"	7 / 4	82	B	12	9.7	2.2	1.2		1.6		0.25	0.50 / 8.0	Y	Y*		
EN 6-05.0	5	Nagler 6	1¼"	7 / 4	82	B	12	7	2.1	1.2		1.6		0.25	0.49 / 7.9	Y	Y*		
EN 6-03.5	3.5	Nagler 6	1¼"	7 / 4	82	B	12	4.8	2.2	1.2		1.6		0.25	0.53 / 8.5	Y	Y*		
Pro d. Code	¹FL (m m)	Eyepiece Type	Barr el (in.)	²E / G	³A F	⁴G	⁵ER (m m)	Field Stop (m m)	⁶Eyepiece Dimensions (in.)						Weight (lb / oz)	Recommended			
									A	B	C	D	E	F		Bin o Vu e	DIO - PTR X	⁷Fon e-Mate	
ET H-21.0	21	Ethos	2"	/	100		15	36.2	4.3			1.6	2.95		-0.38	2.25 / 36.0		Y	Y
ET H-17.0	17	Ethos	2"	/	100		15	29.6	4.5			1.4	2.44		-0.39	1.55 / 24.8		Y	Y
ET H-13.0	13	Ethos	2" & 1¼"	/	100		15	22.3	4	1.6		1.1	2.44	1.1	0.27	1.30 / 20.8	Y	Y	Y
ET H-10.0	10	Ethos	2" & 1¼"	/	100		15	17.7	3.8	1.6		1.1	2.3	1.1	0.27	1.10 / 17.6	Y	Y	Y

ET H-08.0	8	Ethos	2" & 1¼"	/	100		15	13.9	3.3	1.7	0.94	2.1	1.2	0.7	0.95 / 15.2	Y	Y	Y
ET H-06.0	6	Ethos	2" & 1¼"	/	100		15	10.4	3.5	1.5	0.94	2.1	1.1	0.7	0.97 / 15.5	Y	Y	Y
ET H-04.7	4.7	Ethos SX	2" & 1¼"	/	110		15	8.94	5.4	0.9		2.2		0.25	1.30 / 20.8	Y	Y	Y
ET H-03.7	3.7	Ethos SX	2" & 1¼"	/	110		15	7.04	5	1.1		2.2		0.25	1.10 / 17.6	Y	Y	Y
Prod. Code	1FL (m)	Eyepiece Type	Barrel (in.)	2E / G	3A F	4G	5ER (m)	Field Stop (m)	6Eyepiece Dimensions (in.)						Weight (lb / oz)	Recommended		
									A	B	C	D	E	F		Binocular	DIO - PTR X	7Fone-Mate
EN Z-0306	6-3	Nagler Zoom	1¼"	5 / 3	50	B	10	5.1-2.6	0.7	1.6		1.7		0.25	0.33 / 5.3	Y	N	

## Table Notes

<sup>1</sup>FL: Focal Length

<sup>2</sup>E / G: # Lens Elements / # Groups

<sup>3</sup>AF: Apparent Field of View

<sup>4</sup>G: Parfocal Group, eyepieces with the same letter are approximately parfocal -- require little (if any) refocusing when used together.

<sup>5</sup>ER: Eye Relief

<sup>6</sup>Eyepiece Dimensions: see diagram

\***Additional adapter** required for Dioptix™ attachment

<sup>7</sup>While the FoneMate™ will fit on any eyepiece that accepts DIOPTRX™, we have recommended only eyepieces most likely to show full illuminated fields:

all DeLite, Delos, & Ethos, plus Panoptic 41, & Naglers 31, 22, & 17.

### Eyepiece Diagram (right)

A: Height of barrel above reference surface

B: Height of 1¼" barrel

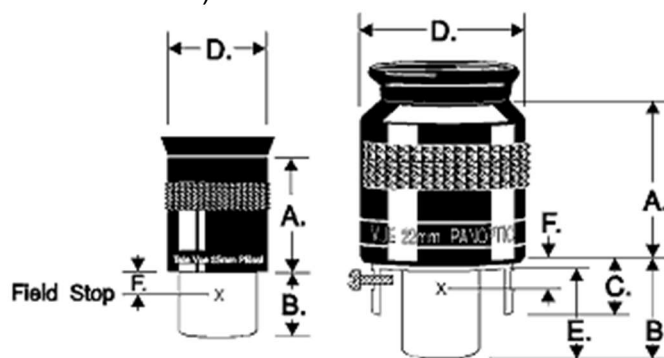
C: Height of 2" barrel

D: Diameter of black barrel

E: Depth of 1¼" barrel

F: Approx. location of field stop

(negative number is above reference surface)



## Tele Vue Eyepiece Notes

- True Field in degrees of an eyepiece can be calculated from the field stop diameter and telescope focal length:

**True Field (°) = 57.3° x eyepiece field stop / telescope focal length**

All Nagler, Radian, Ethos, Delos, and DeLite eyepieces have internal focal planes. Field stop diameters and locations are "effective". Radian and Nagler type-4 eyepieces have "Instajust Eyeguards," and "pupil guide" accessory. Delos and DeLite eyepieces have an adjustable/lockable eyeguard.

- The 55mm Plössl and 41mm Panoptic eyepieces have an adjustable height (removable) eyeguard.
- Also available: 2X and 3X parfocal 1¼" Barlows; parfocal 2.5x and 5x 1¼" Powermates; 2X Big Barlow, 2x and 4x Powermates for 2" focusers. Use Paracorr (1.15X) to correct fast parabolic "Dob/Newts", dramatically sharpens field to take full advantage of Tele Vue eyepiece capabilities.
- All dual barrel eyepieces work equally well in 1¼" or 2" focusers.